

ENGINEERED THROUGH THE DRIVER'S EYES



# RACING WINDOWS

**THE #1 WINDOWS IN MOTORSPORTS**

Explore the widest variety of racing windows in the industry. The list of options is endless! If you don't find what you are looking for, see our custom window section and build your own.



» **OPTICAL GRADE MATERIALS:**

Our exclusive grade of polycarbonate material is better than glass, developed exclusively for & only available at Five Star

» **EXCELLENT HARD-COATING:**

Our multiple coating types greatly enhance durability with abrasion & chemical resistance, along with UV & anti-fog protection

» **SCREEN PRINTED BLACK-OUT BORDERS:**

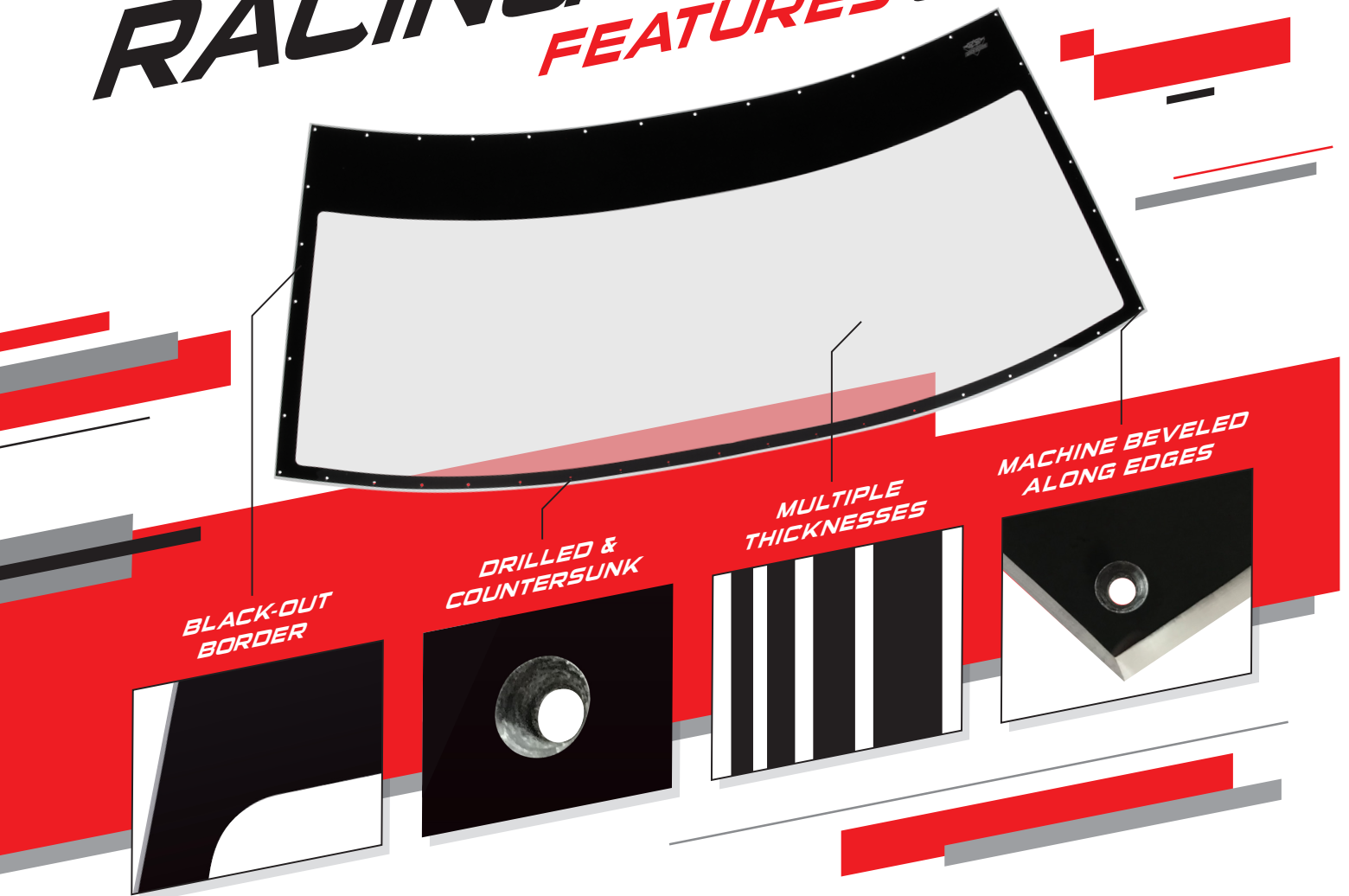
Our borders use a scratch resistant, non-flaking permanent ink for a clean & professional look, saving you hours of work

» **CNC TRIMMED FOR EASY INSTALLATION:**

Our windows are CNC cut to size with smooth, beveled edges & pre-drilled holes for a consistent, perfect fit

# PREMIUM RACING WINDOWS

## FEATURES & OPTIONS



### MATERIAL:

- » Two Monolithic Polycarbonate options & thickness:
  - » Clear - 100% Light Transmission
  - » Tinted - 18% Light Transmission
- » Five Star SafeGuard Laminated Polycarbonate Thickness: 0.265"

### COATED OR UNCOATED:

- » Mar-Resistant coated or uncoated (economy)
- » Coated windows last longer and save you money over time
- » Uncoated polycarbonate is cheaper but offers no protection against scratching, hazing, and the damaging effects of UV. Plus, cleaning an uncoated window can cause scratch marks that affect visibility.

### EDGE TREATMENT:

- » Edges can be machine beveled and will fit exactly into the window frame

### CUT:

- » Oversize: Typically cut 1-1/2 inches larger than the window frame; requires cutting, trimming, beveling and drilling
- » Precut to Fit: Straight-cut to fit exactly into the window frame

### INSTALLATION OPTIONS:

- » Option 1: Installation holes are pre-drilled.
- » Option 2: Installation holes are pre-drilled & countersunk

### BLACK-OUT BORDER:

- » Professional appearance is printed with ultra-durable, high-quality, scratch-resistant and non-flaking permanent ink.
- » Black-out borders are available on custom formed windows for higher-quantity production runs ONLY.

# BUILD YOUR OWN CUSTOM WINDOWS

» CALL OUR SALES TEAM AT 262.877.2171 FOR YOUR CUSTOM WINDOW NEEDS!

## CUSTOM WINDOW SPECIFICATIONS

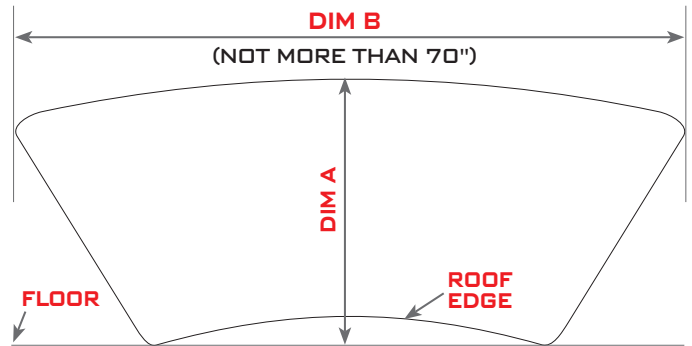
**THESE TWO DIMENSIONS ARE NEEDED TO DETERMINE WHICH SHEET TO PURCHASE:**

**DIM A - THE HEIGHT:** Place your window on end upon a level space with the roof edge down. Measure (DIM A), from the floor to the highest point

**DIM B - THE WIDTH:** Measure across the widest point (DIM B) to be sure that the width does not exceed 70"

» If DIM A is less than 39" use Sheet #1

» If DIM A is 39-47" use Sheet #2



MATERIAL	THICKNESS	SHEET #1	SHEET #2
Clear	.093"	\$317	\$363
Tint	.093"	N/A	\$436
Clear	.118" (1/8")	\$353	\$399
Tint	.118" (1/8")	N/A	\$479
Clear	.177" (3/16")	\$424	\$462
Clear	.236" (1/4")	\$505	\$616

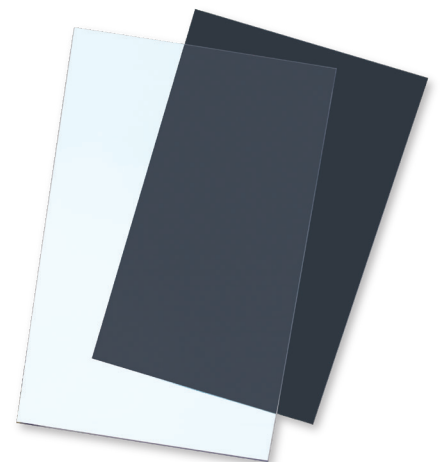
## IMPORTANT INFORMATION:

- » Oversized molded sheets are typically 1-1/2" larger than stock (you cut it to fit)
- » Sheets are formed, not flat. Prices on this chart include all forming costs.
- » Contact our Five Star Sales Team for complete ordering information, or to determine whether or not factory glass window is needed for tooling purposes

## POLYCARBONATE FLAT SHEETS

MAR-RESISTANT FLAT SHEETS CANNOT BE THERMOFORMED! Tint is dark gray with 18% light transmission. Custom sheet sizes are available upon request, and with a minimum order quantity.

PART #	CLEAR/TINT	THICKNESS	SHEET SIZE	COATING	PRICE
000-6102	Clear	.093"	40" x 72"	uncoated	\$93
000-6112	Tint	.093"	40" x 72"	mar-resistant	\$223
000-6300	Clear	.118" (1/8")	24" x 48"	mar-resistant	\$68
000-6301	Clear	.118" (1/8")	32" x 72"	mar-resistant	\$136
000-6303	Clear	.118" (1/8")	36" x 72"	mar-resistant	\$174
000-6302	Clear	.118" (1/8")	40" x 72"	mar-resistant	\$189
000-6122	Tint	.118" (1/8")	40" x 72"	mar-resistant	\$247
000-6306	Clear	.118" (1/8")	72" x 96"	mar-resistant	\$408
000-6304	Clear	.177" (3/16")	36" x 72"	mar-resistant	\$233



POLYCARBONATE FLAT SHEETS

» GO TO FIVESTARBODIES.COM TO SEE OUR FULL LINE OF WINDOWS!

\*\*PRICING SUBJECT TO CHANGE WITHOUT NOTICE\*\*

# FACTORY STOCK DIMENSION WINDOWS

THICKNESS
OVERSIZE
PRECUT TO FIT
BEVELED
DRILLED
COUNTERSUNK
BLACK OUT
SPECIAL ORDER

## CHEVROLET CAMARO FIFTH GEN: 2010-2015

Windshield	164-6345-1	1/4"	X							\$507
Windshield	164-6345-2	1/4"		X						\$539
Windshield	164-6335-2	3/16"		X						\$453
Window, Door, left or right	164-6235-2LorR	3/16"		X						\$256
Window, Door, left or right	164-6225-2LorR	1/8"		X						\$215
Window, Quarter, left or right	164-6535-2LorR	3/16"		X						\$97
Window, Quarter, left or right	164-6525-2LorR	1/8"		X						\$85
Window, Rear	164-6135-2	3/16"		X						\$439
Window, Rear	164-6125-1	1/8"	X							\$354
Window, Rear	164-6125-2	1/8"		X						\$383

## CHEVROLET CAMARO FOURTH GEN: 1993-2002

Windshield	150-6345-STK	1/4"	X							\$484
Windshield	150-6335-STK	3/16"	X							\$427
Windshield	150-6335-2	3/16"		X						\$442
Windshield	150-6325-STK	1/8"	X							\$399
Window, Rear	150-6135-STK	3/16"	X							\$427
Window, Rear	150-6125-STK	1/8"	X							\$399
Window, Rear, uncoated	150-6111	.093"	X							\$200
Window, Rear	150-6115	.093"	X							\$362

## CHEVROLET CAMARO THIRD GEN: 1982-1992

Windshield	524-6325	1/8"	X							\$354
Window, Rear	110-6135	3/16"	X							\$427
Window, Rear	110-6125	1/8"	X							\$399
Window, Rear, uncoated	110-6111	.093"	X							\$200
Window, Rear	110-6115	.093"	X							\$362

## CHEVROLET CAMARO FIRST GEN: 1967-1969 (CLEAR)

Windshield	114-6335-STK	3/16"	X							\$467
Windshield	114-6325-STK	1/8"	X							\$202
Window, Doors, left or right	114-6225-STK-LorR	1/8"	X							\$98
Window, Doors, left or right	114-6215-STK-LorR	.093"	X							*CALL
Window, Quarters, left or right	114-6525-STK-LorR	1/8"	X							\$66
Window, Quarters, left or right	114-6515-STK-LorR	.093"	X							*CALL
Window, Rear	114-6125-STK	1/8"	X							\$202

## CHEVROLET CAMARO FIRST GEN: 1967-1969 (TINTED)

Window, Doors, left or right	114-6225-TINT-LorR	1/8"	X						X	\$118
Window, Doors, left or right	114-6215-TINT-LorR	.093"	X						X	\$111
Window, Quarters, left or right	114-6525-TINT-LorR	1/8"	X						X	\$80
Window, Quarters, left or right	114-6515-TINT-LorR	.093"	X						X	\$42
Window, Rear	114-6125-TINT	1/8"	X						X	\$243
Window, Rear	114-6115-TINT	.093"	X						X	\$222

# FACTORY STOCK DIMENSION WINDOWS

THICKNESS    OVERSIZE    PRECUT TO FIT    BEVELED    DRILLED    COUNTERSUNK    BLACK OUT    SPECIAL ORDER

## CHEVROLET CORVETTE C7: 2014-2019

Windshield	80145-63402	1/4"	X							\$484
Windshield	80145-63422	1/4"		X						\$501
Windshield	80145-63302	3/16"	X							\$427
Windshield	80145-63322	3/16"		X						\$442
Windshield	80145-63222	1/8"		X						\$415
Window, Quarter, left or right	80145-65222LorR	1/8"		X						\$32
Window, Rear	80145-61302	3/16"	X							\$317
Window, Rear	80145-61322	3/16"		X						\$347
Window, Rear	80145-61202	1/8"	X							\$282
Window, Rear	80145-61222	1/8"		X						\$310

## CHEVROLET CORVETTE: C7 CYNERGY BODY

Windshield	65145-63302	3/16"	X							\$404
Windshield	65145-63202	1/8"	X							\$340
Windshield	65145-63102	.093"	X							\$340
Window, Rear	65145-61202	1/8"	X							\$340
Window, Rear	65145-61102	.093"	X							\$340
Window, Rear (TINTED)	65145-61204	1/8"	X					X		\$396

## CHEVROLET CORVETTE C6: 2005-2013

Headlight Covers	923-410HC	.093"	X							\$90
Windshield	923-6345-1	1/4"	X							\$484
Windshield	923-6345-2	1/4"		X						\$501
Windshield	923-6345-2B	1/4"		X			X			\$535
Windshield	923-6335-1	3/16"	X							\$427
Windshield	923-6335-2	3/16"		X						\$442
Window, Rear	923-6135-2B	3/16"		X			X			\$512
Window, Rear	923-6125-2	1/8"		X						\$415
Window, Rear	923-6125-2B	1/8"		X			X			\$479
Window, Rear	923-6125-1	1/8"	X							\$399

## CHEVROLET CORVETTE C5: 1997-2004

Windshield	922-6345-1	1/4"	X							\$484
Windshield	922-6345-2	1/4"		X						\$501
Windshield	922-6335-1	3/16"	X							\$427
Windshield	922-6335-2	3/16"		X						\$442
Windshield	922-6325-1	1/8"	X							\$399
Windshield	922-6325-2	1/8"		X						\$415
Window, Rear	922-6135-1	3/16"	X							\$427
Window, Rear (Z06 style)	922-6135-1 Z06	3/16"	X							\$317
Window, Rear	922-6135-2	3/16"		X						\$477
Window, Rear	922-6125-1	1/8"	X							\$399
Window, Rear	922-6125-2	1/8"		X						\$415

# FACTORY STOCK DIMENSION WINDOWS

THICKNESS
OVERSIZE
PRECUT TO FIT
BEVELED
DRILLED
COUNTERSUNK
BLACK OUT
SPECIAL ORDER

## CHEVROLET CORVETTE C4: 1984-1996

Windshield	920-6345-1	1/4"	X							\$507
Windshield	920-6345-2	1/4"		X						\$524
Windshield	920-6335-1	3/16"	X							\$423
Windshield	920-6335-2	3/16"		X						\$439
Windshield	920-6325-1	1/8"	X							\$354
Windshield	920-6325-2	1/8"		X						\$369
Window, Rear	920-6135-1	3/16"	X							\$423
Window, Rear	920-6135-2	3/16"		X						\$439
Window, Rear	920-6125-1	1/8"	X							\$354
Window, Rear	920-6125-2	1/8"		X						\$369

## CHEVROLET CORVETTE C2: 1963-1967

Window, Rear	920-6125-SPLIT	1/8"	X							\$227
--------------	----------------	------	---	--	--	--	--	--	--	-------

\*TRIMMABLE TO SPLIT WINDOW, NOTCHED TO HELP CUT SPLIT

## CHEVROLET MONTE CARLO: 1981-1988

Windshield	524-6325	1/8"	X							\$354
Windshield, flat	600-6303	1/8"		X						\$233
Window, Rear (Aero Coupe)	604-6125-A	1/8"	X							\$371
Window, Rear, flat, uncoated	600-6101	.093"		X						\$61

## DODGE VIPER GTS: 1996-1999

Windshield	906-6345-1	1/4"	X							\$507
Windshield	906-6335-1	3/16"	X							\$423
Window, Rear	906-6125	1/8"	X							\$354

## FORD MUSTANG FIFTH GEN: 2005-2014

Windshield	902-6345-STK	1/4"	X							\$507
Windshield	902-6335-STK	3/16"	X							\$384
Windshield	902-6325-STK	1/8"	X							\$322
Window, Rear	902-6135-STK	3/16"	X							\$423
Window, Rear	902-6125-STK	1/8"	X							\$354

## FORD MUSTANG FOURTH GEN: 1994-2004

Windshield	900-6345-1	1/4"	X							\$507
Windshield	900-6335-1	3/16"	X							\$423
Windshield	900-6325-1	1/8"	X							\$354
Window, Rear	900-6135	3/16"	X							\$423
Window, Rear	900-6125	1/8"	X							\$354



# FACTORY STOCK DIMENSION WINDOWS

THICKNESS
OVERSIZE
PRECUT TO FIT
BEVELED
DRILLED
COUNTERSUNK
BLACK OUT
SPECIAL ORDER

ABC LMSJ TRUCK PAVMOD OUTLAN LATE MODEL SPORTSMAN OLDER BODIES MD3 LATE MODEL MD3 MODIFIED NORTHEAST MOD STOCK CAR STREET STOCK TAZ PRO STOCK/MOD FUNNY CAR JR ROADSTER WINDOWS ACCESSORIES

## PONTIAC FIREBIRD FOURTH GEN: 1993-2002

Windshield	150-6345-STK	1/4"	X							\$484
Windshield	150-6335-STK	3/16"	X							\$427
Windshield	150-6335-2	3/16"		X						\$442
Windshield	150-6325-STK	1/8"	X							\$399
Window, Rear	150-6135-STK	3/16"	X							\$427
Window, Rear	150-6125-STK	1/8"	X							\$399

## PONTIAC FIREBIRD THIRD GEN: 1982-1992

Window, Rear	110-6135	3/16"	X							\$427
Window, Rear	110-6125	1/8"	X							\$399

## PONTIAC GRAND PRIX: 1996-2003

Windshield	324-6345-1	1/4"	X							\$507
Windshield	324-6335-1	3/16"	X							\$393
Windshield	324-6325	1/8"	X							\$354
Window, Rear	324-6125	1/8"	X							\$354

## BMW E30 COUPE: 1985-1991

Windshield	953-6345-2	1/4"		X						\$524
Window, Quarter, pair	953-6525	1/8"	X							\$215
Window, Rear	953-6135-2	3/16"		X						\$388
Window, Rear, M3 model	953-6135-2M	3/16"		X						\$388

## BMW E36 COUPE: 1992-1998

Windshield	951-6345-2	1/4"		X						\$524
Window, Quarter, left or right	951-6525-2LorR	1/8"		X						\$147
Window, Rear	951-6135-2	3/16"		X						\$453

## BMW E36 SEDAN: 1992-1998

Windshield	951-6345-4	1/4"		X						\$524
Window, Rear	951-6135-4	3/16"		X						\$453

## BMW E46 COUPE: 2000-2006

Windshield	952-6345-2	1/4"		X						\$524
Windshield	952-6335-2	3/16"		X						\$383
Window, Quarter, left or right	952-6525-2LorR	1/8"		X						\$147
Window, Rear	952-6135-2	3/16"		X						\$453
Window, Rear	952-6125-2	1/8"		X						\$311

## MAZDA MIATA MX-5: 2006-2015

Windshield	80771-63422	1/4"		X				X		\$524
------------	-------------	------	--	---	--	--	--	---	--	-------

## PORSCHE 911 SERIES 991: 2011-2019

Windshield	991-6345-2	1/4"		X						\$524
------------	------------	------	--	---	--	--	--	--	--	-------



# FACTORY STOCK DIMENSION WINDOWS

THICKNESS
OVERSIZE
PRECUT TO FIT
BEVELED
DRILLED
COUNTERSUNK
BLACK OUT
SPECIAL ORDER

## PORSCHE 911 SERIES 997: 2005-2013

Windshield	997-6345-2	1/4"		X						\$524
Windshield	997-6335-2	3/16"		X						\$439
Window, Quarter, pair	996/7-6525-2	1/8"		X						\$192
Window, Rear	997-6125-2	1/8"		X						\$415

## PORSCHE 911 SERIES 996: 1997-2006

Windshield	996-6345-2	1/4"		X						\$524
Windshield	996-6335-2	3/16"		X						\$439
Window, Quarter, pair	996/7-6525-2	1/8"		X						\$192
Window, Rear	996-6125-2	1/8"		X						\$415

## PORSCHE 911 SERIES 993: 1995-1998

Windshield, C2/C4 models	911-6345-2C	1/4"		X						\$524
--------------------------	-------------	------	--	---	--	--	--	--	--	-------

## PORSCHE 911: 1964-1994

Windshield	911-6345-1	1/4"	X							\$507
Windshield	911-6345-2	1/4"		X						\$524
Windshield, C2/C4 models	911-6345-2C	1/4"		X						\$524
Windshield	911-6335-1	3/16"	X							\$423
Windshield	911-6335-2	3/16"		X						\$439
Windshield, C2/C4 models	911-6335-2C	3/16"		X						\$439
Window, Rear	911-6135-1	3/16"	X							\$333
Window, Rear	911-6135-2	3/16"		X						\$349
Window, Rear	911-6135F	3/16"		X						\$349
Window, Rear	911-6125-1	1/8"	X							\$282
Window, Rear	911-6125-2	1/8"		X						\$298
Window, Rear	911-6125F	1/8"		X						\$298

## PORSCHE 914: 1969-1976

Windshield	943-6345-2	1/4"		X						\$524
------------	------------	------	--	---	--	--	--	--	--	-------

## PORSCHE 944: 1982-1991

Windshield	944-6345-1	1/4"	X							\$507
Windshield	944-6345-2	1/4"		X						\$524
Window, Rear	944-6135-1	3/16"	X							\$461
Window, Rear	944-6135-2	3/16"		X						\$477
Window, Rear	944-6125-1	1/8"	X							\$399
Window, Rear	944-6125-2	1/8"		X						\$415

## PORSCHE BOXSTER, GEN 1 SERIES 986: 1996-2004

Windshield	994-6345-2	1/4"		X						\$524
Windshield	994-6335-2B	3/16"		X				X		\$443

## PORSCHE CAYMAN, GEN 2 SERIES 981/982: 2014 & NEWER

Window, Rear	911-6135-4	3/16"	X							\$453
--------------	------------	-------	---	--	--	--	--	--	--	-------

# FACTORY STOCK DIMENSION WINDOWS

THICKNESS    OVERSIZE    PRECUT TO FIT    BEVELED    DRILLED    COUNTERSUNK    BLACK OUT    SPECIAL ORDER

## PORSCHE CAYMAN, GEN 1 SERIES 987: 2006-2013

Window, Rear	911-6135-3	3/16"		X							\$349
--------------	------------	-------	--	---	--	--	--	--	--	--	-------

## TOYOTA SUPRA: 1993-1998

Windshield	916-6345-1	1/4"	X								\$444
Windshield	916-6345-2	1/4"		X							\$469
Window, Rear	916-6125-2	1/8"		X							\$341

### WINDOW INSTALLATION KIT

- » Using proper hardware provides the perfect fit & helps to increase the life of your window
- » Black oxide coated to prevent rust
- » Enough hardware to install a complete set of windows on one car
- » **Kit includes:** 120 6-32 1/2" & 16 6-32 3/4" flat head socket screws, 136 6-32 nylon locknuts, 1 long-arm hex key & 9/64" drill bit

Window Installation Kit	805	\$27
-------------------------	-----	------



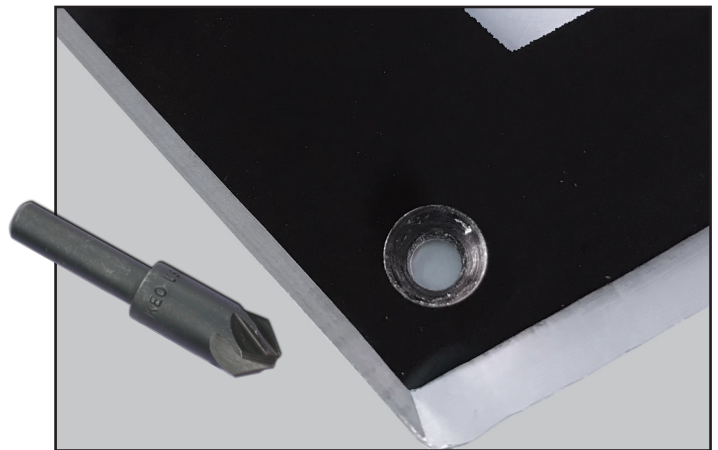
**IMPORTANT:**  
USING RIVETS APPLIES TOO MUCH PRESSURE TO YOUR WINDOW & WILL FRACTURE THE POLYCARBONATE



### WINDOW INSTALLATION COUNTERSINK DRILL BIT

- » 3/8" diameter steel bit with a 1/4" shank, used for countersinking holes for window screw installation into polycarbonate
- » Not required for precut to fit, beveled, & drilled windows

Drill Bit	805-1	\$19
-----------	-------	------



### FIVE STAR PLASTIC WINDOW CLEANER

- » This specially formulated anti-static foaming spray contains no chemicals or abrasives that will cause damage to plastic
- » Lifts grease, grime, and wipes off fast and easy to provide a streak-free clean and clear surface finish

Window Cleaner, 19oz Can	843	\$9.95
--------------------------	-----	--------

#### » FIVE STAR CLEANING TIPS!

- » ALWAYS AVOID USING ABRASIVE CLEANERS & CHEMICAL SOLVENTS THAT CAN EASILY CAUSE DAMAGE TO POLYCARBONATE WINDOWS
- » USE A MICROFIBER TOWEL FOR BEST, STREAK-FREE FINISH
- » TO PREVENT SCRATCHING AND HAZING ON YOUR WINDOWS, NEVER SCRUB WITH BRUSHES OR ABRASIVE MATERIALS



# WINDOWS FOR AFTERMARKET DRAG RACING BODIES

THICKNESS
OVERSIZE
PRECUT TO FIT
BEVELED
DRILLED
COUNTERSUNK
BLACK OUT
SPECIAL ORDER

## PRO STOCK / PRO MOD CHEVROLET CAMARO: 2017 & NEWER (CLEAR)

		THICKNESS	OVERSIZE	PRECUT TO FIT	BEVELED	DRILLED	COUNTERSUNK	BLACK OUT	SPECIAL ORDER	
Windshield	64131-63302	3/16"	X							\$397
Windshield	64131-63332	3/16"		X	X					\$472
Windshield	64131-63202	1/8"	X							\$382
Windshield	64131-63232	1/8"		X						\$409
Window, Door, left or right	64131-62202LorR	1/8"	X							\$158
Window, Door, left or right	64131-62232LorR	1/8"		X	X					\$191
Window, Door, left or right	64131-62102LorR	.093"	X							\$126
Window, Door, left or right	64131-62132LorR	.093"		X	X					\$145
Window, Quarter, left or right	64131-65242LorR	1/8"		X	X	X				\$42
Window, Quarter, left or right	64131-65142LorR	.093"		X	X	X				\$40
Window, Rear	64131-61242	1/8"		X	X	X				\$398
Window, Rear	64131-61142	.093"		X	X	X				\$264

## PRO STOCK / PRO MOD CHEVROLET CAMARO: 2017 & NEWER (TINTED)

		THICKNESS	OVERSIZE	PRECUT TO FIT	BEVELED	DRILLED	COUNTERSUNK	BLACK OUT	SPECIAL ORDER	
Window, Door, left or right	64131-62204LorR	1/8"	X						X	\$173
Window, Door, left or right	64131-62234LorR	1/8"		X	X				X	\$212
Window, Quarter, left or right	64131-65244LorR	1/8"		X	X	X			X	\$51
Window, Rear	64131-61244	1/8"		X	X	X			X	\$411

## DRAG PRO STOCK / PRO MOD CHEVROLET CAMARO: 2012-2016

		THICKNESS	OVERSIZE	PRECUT TO FIT	BEVELED	DRILLED	COUNTERSUNK	BLACK OUT	SPECIAL ORDER	
Windshield	961-6335-1	3/16"	X							\$344
Windshield	961-6335-2	3/16"		X	X					\$369
Windshield	961-6325-2	1/8"		X						\$340
Window, Door, left or right	960-6225-2LorR	1/8"		X	X					\$160
Window, Door, left or right	960-6215-2LorR	.093"		X	X					\$121
Window, Quarter, left or right	960-6525-2LorR	1/8"		X	X	X				\$110
Window, Quarter, left or right	960-6515-2LorR	.093"		X	X	X				\$80
Window, Rear	960-6125-2	1/8"		X	X	X				\$311
Window, Rear	960-6115-2	.093"		X	X	X				\$220

## DRAG PRO MOD CHEVROLET CAMARO: 2011

		THICKNESS	OVERSIZE	PRECUT TO FIT	BEVELED	DRILLED	COUNTERSUNK	BLACK OUT	SPECIAL ORDER	
Windshield	960-6335-2	3/16"		X	X					\$369
Windshield	960-6325-1	1/8"	X	X	X					\$379
Window, Door, left or right	960-6225-1LorR	1/8"	X	X	X					\$157
Window, Door, left or right	960-6225-2LorR	1/8"		X	X					\$160
Window, Door, left or right	960-6215-2LorR	.093"		X	X					\$121
Window, Quarter, left or right	960-6525-2LorR	1/8"		X	X	X				\$110
Window, Quarter, left or right	960-6515-2LorR	.093"		X	X	X				\$80
Window, Rear	960-6125-1	1/8"	X		X	X				\$286
Window, Rear	960-6125-2	1/8"		X	X	X				\$311
Window, Rear	960-6115-2	.093"		X	X	X				\$220

# WINDOWS FOR AFTERMARKET DRAG RACING BODIES

OPTIONS

THICKNESS	OVERSIZE	PRECUT TO FIT	BEVELED	DRILLED	COUNTERSUNK	BLACK OUT	SPECIAL ORDER
-----------	----------	------------------	---------	---------	-------------	-----------	------------------

## PRO MOD CHEVROLET CAMARO: 1967-1969 (CLEAR)

Windshield	114-6335-DRAG	3/16"	X							\$379
Windshield	114-6325-DRAG	1/8"	X							\$202
Window, Door, left or right	114-6225-DRAG-LorR	1/8"	X							\$98
Window, Quarter, left or right	114-6525-DRAG-LorR	1/8"	X							\$66
Window, Door, left or right	114-6215-DRAG-LorR	.093"	X							\$60
Window, Quarter, left or right	114-6515-DRAG-LorR	.093"	X							\$35
Window, Rear	114-6125-DRAG	1/8"	X							\$202
Window, Rear	114-6115-DRAG	.093"	X							\$185

## PRO MOD CHEVROLET CAMARO: 1967-1969 (TINTED)

Window, Doors, left or right	114-6225-TINT-LorR	1/8"	X						X	\$118
Window, Doors, left or right	114-6215-TINT-LorR	.093"	X						X	\$111
Window, Quarters, left or right	114-6525-TINT-LorR	1/8"	X						X	\$80
Window, Quarters, left or right	114-6515-TINT-LorR	.093"	X						X	\$42
Window, Rear	114-6125-TINT	1/8"	X						X	\$243
Window, Rear	114-6115-TINT	.093"	X						X	\$222

## CHEVROLET COBALT

Windshield	913-6335-1	3/16"	X							\$344
Windshield	913-6335-2	3/16"		X	X					\$369
Windshield	913-6325-1	1/8"	X							\$287
Window, Door, left or right	913-6225LorR	1/8"	X							\$131
Window, Door, left or right	913-6225-2LorR	1/8"		X	X					\$143
Window, Quarter, left or right	913-6525LorR	1/8"	X							\$98
Window, Quarter, left or right	913-6525-2LorR	1/8"		X	X	X				\$110
Window, Rear	913-6125	1/8"	X							\$286
Window, Rear	913-6125-2	1/8"		X	X	X				\$311

## CHEVROLET CAVALIER

Windshield	904-6335-1	3/16"	X							\$344
Windshield	904-6325-1	1/8"	X							\$353
Window, Door, left or right	904-6225LorR	1/8"	X							\$144
Window, Quarter, fits either side	903-6525	1/8"	X							\$85
Window, Rear	904-6125	1/8"	X							\$286

## CHEVROLET CAVALIER (TINTED)

Window, Door, left or right	904-6225LorR-TNT	1/8"	X						X	\$341
Window, Quarter, fits either side	903-6525-TNT	1/8"	X						X	\$107
Window, Rear	904-6125-TNT	1/8"	X						X	\$365

## DODGE AVENGER

Windshield	909-6335-2	3/16"		X	X	X				\$369
Windshield, trim at base	909-6335-1	3/16"	X							\$344
Windshield	909-6325-1	1/8"	X							\$287
Window, Door, left or right	909-6225-2LorR	1/8"		X	X	X				\$94
Window, Quarter, left or right	909-6525-2LorR	1/8"		X	X	X				\$85
Window, Rear	909-6125-2	1/8"		X	X	X				\$272

# WINDOWS FOR AFTERMARKET DRAG RACING BODIES

THICKNESS
OVERSIZE
PRECUT TO FIT
BEVELED
DRILLED
COUNTERSUNK
BLACK OUT
SPECIAL ORDER

## DODGE DART

Windshield	910-6335-2	3/16"		X	X					\$444
Windshield	910-6325-2	1/8"		X	X					\$382
Window, Door, left or right	910-6225-2LorR	1/8"		X	X					\$191
Window, Door, left or right	910-6215-2LorR	.093"		X	X					\$145
Window, Quarter, left or right	910-6525-2LorR	1/8"		X	X	X				\$117
Window, Quarter, left or right	910-6515-2LorR	.093"		X	X	X				\$92
Window, Rear	910-6135-2	3/16"		X	X	X				\$405
Window, Rear	910-6125-2	1/8"		X	X	X				\$373
Window, Rear	910-6115-2	.093"		X	X	X				\$290

## DODGE NEON

Windshield	907-6335-1	3/16"	X							\$344
Windshield	907-6325-1	1/8"	X							\$303
Windows, Door/Quarter, left or right	907-6225LorR	1/8"	X							\$144
Windows, Door/Quarter, left or right	907-6225LorR	1/8"	X							\$144
Window, Rear	907-6125	1/8"	X							\$286
Window, Rear	907-6125-2	1/8"		X						\$340

## DODGE STRATUS

Windshield	908-6335-1	3/16"	X							\$344
Windshield	908-6325-1	1/8"	X							\$344
Window, Door, left or right	908-6225LorR	1/8"	X							\$144
Window, Quarter, left or right	908-6525LorR	1/8"	X							\$98
Window, Rear	908-6135	3/16"	X							\$344
Window, Rear	908-6125	1/8"	X							\$286

## PRO STOCK / PRO MOD FORD MUSTANG: 2016 & NEWER (CLEAR)

Windshield	64321-63302	3/16"	X							\$379
Windshield	64321-63332	3/16"		X	X					\$406
Windshield	64321-63202	1/8"	X		X					\$353
Windshield	64321-63232	1/8"		X	X					\$383
Window, Door, left or right	64321-62202LorR	1/8"	X							\$144
Window, Door, left or right	64321-62232LorR	1/8"		X	X					\$176
Window, Door, left or right	64321-62102LorR	.093"	X		X					\$121
Window, Door, left or right	64321-62132LorR	.093"	X	X	X					\$145
Window, Quarter, left or right	64321-65242LorR	1/8"		X	X	X				\$121
Window, Quarter, left or right	64321-65142LorR	.093"		X	X	X				\$88
Window, Rear	64321-61242	1/8"		X	X	X				\$398
Window, Rear	64321-61142	.093"		X	X	X				\$242

## PRO STOCK / PRO MOD FORD MUSTANG: 2016 & NEWER (TINTED)

Window, Door, left or right	64321-62204LorR	1/8"	X						X	\$173
Window, Door, left or right	64321-62234LorR	1/8"		X	X				X	\$212
Window, Quarter, left or right	64321-65244LorR	1/8"		X	X	X			X	\$146
Window, Rear	64321-61244	1/8"		X	X	X			X	\$411

# WINDOWS FOR AFTERMARKET DRAG RACING BODIES

OPTIONS

THICKNESS	OVERSIZE	PRECUT TO FIT	BEVELED	DRILLED	COUNTERSUNK	BLACK OUT	SPECIAL ORDER
-----------	----------	------------------	---------	---------	-------------	-----------	------------------

## FORD MUSTANG: 2010 ROUSH BODY

Windshield	901-6335-2	3/16"		X	X					\$369
Windshield	901-6335-1	3/16"	X							\$344
Window, Door, left or right	901-6225-2LorR	1/8"		X	X					\$143
Window, Quarter, left or right	901-6525-2LorR	1/8"		X	X					\$72
Window, Rear	901-6125-2	1/8"		X	X	X				\$311
Window, Rear	901-6125-1	1/8"	X							\$315

## FORD MUSTANG: 2005-2009 HAIRY GLASS BODY

Windshield	902-6335-1	3/16"	X							\$313
Windshield	902-6335-2	3/16"		X	X	X	X			\$338
Windshield	902-6325-1	1/8"	X							\$287
Window, Door, left or right	902-6225-2LorR	1/8"		X	X	X	X			\$143
Window, Quarter, left or right	902-6525-2LorR	1/8"		X	X	X	X			\$72
Window, Rear	902-6125-1	1/8"	X							\$261
Window, Rear	902-6125-2	1/8"		X						\$289
Window, Rear	902-6115-1	.093"	X							\$295

## PONTIAC GRAND AM (CLEAR)

Windshield	904-6335-1	3/16"	X							\$344
Windshield	904-6325-1	1/8"	X							\$353
Window, Door, left or right	904-6225LorR	1/8"	X							\$144
Window, Quarter, left or right	904-6525LorR	1/8"	X							\$85
Window, Rear	904-6125	1/8"	X							\$286

## PONTIAC GRAND AM (TINTED)

Window, Door, left or right	904-6225LorR-TNT	1/8"	X						X	\$341
Window, Quarter, left or right	904-6525LorR-TNT	1/8"	X						X	\$199
Window, Rear	904-6125-TNT	1/8"	X						X	\$365

## PONTIAC GTO (CLEAR)

Windshield	914-6335-1	3/16"	X							\$344
Windshield	914-6335-2	3/16"		X	X					\$369
Windshield	914-6325-1	1/8"	X							\$322
Window, Door, left or right	914-6225LorR	1/8"	X							\$131
Window, Door, left or right	914-6225-2LorR	1/8"		X	X					\$143
Window, Quarter, left or right	914-6525LorR	1/8"	X							\$98
Window, Quarter, left or right	914-6525-2LorR	1/8"		X	X	X				\$110
Window, Rear	914-6125	1/8"	X							\$286
Window, Rear	914-6125-2	1/8"		X	X	X				\$311
Window, Rear	914-6115	.093"	X							\$289

## PONTIAC GTO (TINTED)

Window, Door, left or right	914-6225-2LorR-TNT	1/8"		X	X				X	\$156
Window, Quarter, left or right	914-6525-2LorR-TNT	1/8"		X	X	X			X	\$137
Window, Rear	914-6125-2-TNT	1/8"		X	X	X			X	\$390

# WINDOWS FOR AFTERMARKET DRAG RACING BODIES

THICKNESS
OVERSIZE
PRECUT TO FIT
BEVELED
DRILLED
COUNTERSUNK
BLACK OUT
SPECIAL ORDER

## PONTIAC GXP

Windshield	924-6345-2	1/4"		X	X					\$481
Windshield	924-6335-1	3/16"	X							\$344
Windshield	924-6335-2	3/16"		X	X					\$369
Windshield	924-6325-1	1/8"	X							\$344
Windshield	924-6325-2	1/8"		X	X					\$383
Window, Door, left or right	924-6225LorR	1/8"	X							\$131
Window, Door, left or right	924-6225-2LorR	1/8"		X	X					\$143
Window, Quarter, left or right	924-6525LorR	1/8"	X							\$98
Window, Quarter, left or right	924-6525-2LorR	1/8"		X	X	X				\$110
Window, Rear	924-6125	1/8"	X							\$286
Window, Rear	924-6125-2	1/8"		X	X	X				\$311

## DRAGSTER WINDOWS

Windshield, wide, 12" tall	931-6325-2M	1/8"	X							\$221
Windshield, standard, 12" tall	931-6325-1	1/8"	X							\$221
Windshield, standard, 9" tall	931-6325-1A	1/8"	X							\$198
Windshield, standard, 7" tall	931-6325-1B	1/8"	X							\$179

(WINDSHIELDS ARE 18" WIDE ACROSS THE BOTTOM. STANDARD WINDSHIELDS ARE 14" WIDE ACROSS THE TOP. WIDE WINDSHIELDS ARE 16" WIDE ACROSS THE TOP)

## FACTORY X CAMARO

Windshield	61131-63332	3/16"		X	X					\$490
Window, Door, left or right	61131-62202LorR	1/8"	X							\$144
Window, Door, left or right	61131-62232LorR	1/8"		X	X					\$210
Window, Quarter, left or right	61131-65242LorR	1/8"		X	X					\$42
Window, Rear	61131-61202	1/8"	X							\$353
Window, Rear	61131-61242	1/8"		X	X					\$342

## FACTORY X CAMARO (TINTED)

Window, Door, left or right	61131-62204LorR	1/8"	X						X	\$180
Window, Rear	61131-61204	1/8"	X						X	\$441

## FACTORY X MUSTANG

<b>NEW!</b>	61321-63332	3/16"		X	X					\$490
Window, Door, left or right	61321-62232LorR	1/8"		X	X					\$210
Window, Quarter, left or right	61321-65242LorR	1/8"		X	X	X				\$42
Window, Rear	61321-61242	1/8"		X	X	X				\$342

## FUNNY CAR CHEVROLET IMPALA

Windshield	933-6335-2	3/16"		X	X					\$402
Window, Door, left or right	933-6225-2LorR	1/8"		X	X					\$110
Window, Door, left or right	933-6235-2LorR	3/16"		X	X					\$125

## FUNNY CAR CHEVROLET MONTE CARLO

Windshield	930-6335-2	3/16"		X	X					\$286
Window, Door, left or right	930-6225-2LorR	1/8"		X	X					\$110

# WINDOWS FOR AFTERMARKET DRAG RACING BODIES

OPTIONS

THICKNESS	OVERSIZE	PRECUT TO FIT	BEVELED	DRILLED	COUNTERSUNK	BLACK OUT	SPECIAL ORDER
-----------	----------	---------------	---------	---------	-------------	-----------	---------------

## FUNNY CAR DODGE CHARGER

Windshield	932-6335-2	3/16"		X	X					\$402
Windshield	932-6345-2	1/4"		X	X					\$508
Window, Door, left or right	932-6225-2LorR	1/8"		X	X					\$110
Window, Door, left or right (HAS FIRE HOLE)	932-6235-2LorR	3/16"		X	X					\$125

## FUNNY CAR FORD MUSTANG

Windshield	929-6335-2	3/16"		X	X					\$286
Window, Door, left or right	929-6225-2LorR	1/8"		X	X					\$110

## FUNNY CAR TOYOTA SUPRA

Windshield, Laminated	68731-63558	.265"		X						\$920
Window, Door, pair (has fire hole)	68731-62352 REV 1	3/16"	X							\$380
Window, Door, pair (has fire hole)	68731-62252 REV 1	1/8"	X							\$242
Window, Door, pair	68731-62252	1/8"	X							\$242

# UNIVERSAL AFTERMARKET RACING WINDOWS

OPTIONS

THICKNESS	OVERSIZE	PRECUT TO FIT	BEVELED	DRILLED	COUNTERSUNK	BLACK OUT	SPECIAL ORDER
-----------	----------	---------------	---------	---------	-------------	-----------	---------------

## UNIVERSAL AFTERMARKET (CLEAR)

Windshield	324-6345-ST	1/4"	X							\$616
Windshield	324-6335-ST	3/16"	X							\$462
Windshield	324-6325-ST	1/8"	X							\$399
Windows, Door, pair	000-6235	3/16"	X							\$428
Windows, Door, pair	000-6225	1/8"	X							\$328
Windows, Door, pair	000-6215	.093"	X							\$280

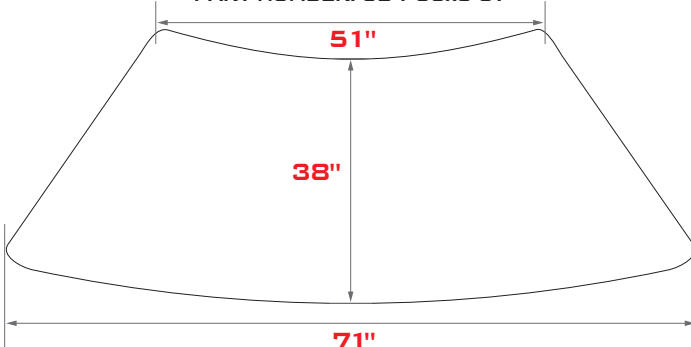
\*SEE POLYCARBONATE FLAT SHEETS FOR WINDOW, REAR

## UNIVERSAL AFTERMARKET (TINTED)

Windows, Door, pair	000-6225DT	1/8"	X							\$354
Window, Quarter, left or right	000-6502DT	1/8"	X							\$105
Window, Rear	324-6125DT	1/8"	X							\$370

### UNIVERSAL AFTERMARKET WINDSHIELD

PART NUMBER: 324-63x5-ST



### UNIVERSAL AFTERMARKET DOOR WINDOW

PART NUMBER: 000-62x5

