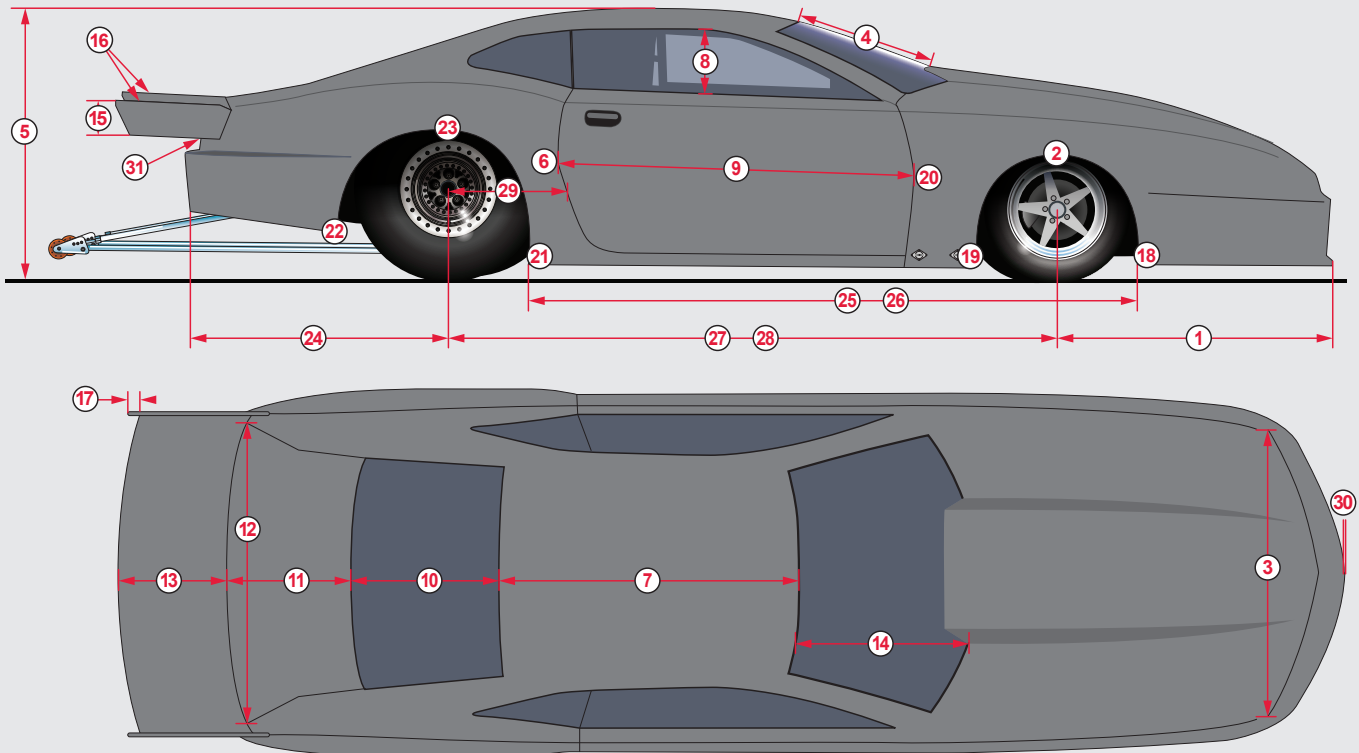


# PRO STOCK BODY DIMENSIONS



**\*\* All measurements are zero tolerance unless otherwise noted \*\***

| NO. | LOCATION                                   | DETAILS  | CHEVROLET CAMARO SS |
|-----|--|--|---------------------|
| 1.  | Front Overhang                             | Measured from long side of wheelbase center to front edge of body (splitter not included)  | 45.00               |
| 2.  | Width                                      | Over Spindle   | 64.75               |
| 3.  | Front Fascia Width                         | Measured across the front end at upper/outer corners of headlight recessed area  | 51.00               |
| 4.  | Windshield Length Center                   | Measured from top center of windshield down to rear of hood/cowl center  | 20.25 min           |
| 5.  | Overall Height                             | Measurement taken from the highest point of roof to rear of rocker   | 44.00 min           |
| 6.  | Width (at B-Post)                          | Measurement taken 15" up from bottom of rocker, +/-0.25"   | 65.75               |
| 7.  | Roof Length                                |  | 58.625              |
| 8.  | Side Window Height                         | Measurement taken at tallest point   | 12.125              |
| 9.  | Door Length                                | Measurement taken at upper body line   | 56.375              |
| 10. | Rear Window Length                         |  | 27.25               |
| 11. | Deck Lid Length                            | Measurement taken from bottom of rear window center  | 18.125              |
| 12. | Deck Lid Width                             | Measurement taken across rear of deck lid  | 47.75               |
| 13. | Spoiler Length                             | Length does not include wicker height. Minimum 0.75" height for wicker. Must be 90°  | 14.00               |
| 14. | Windshield Length                          | Measurement taken 12" inward from bottom corner of windshield. From this point, go to top of windshield, parallel to center line of body | 26.25 min           |
| 15. | Spill Plate Height                         | +/-0.125"  | 6.00                |
| 16. | Section of Spill Plate above Spoiler       | +/-0.125"  | 1.00                |
| 17. | Spill Plate Extension past rear of Spoiler |  | 2.00 max            |
| 18. | Width in Front of Front Tire               | Measurement taken at bottom of opening. +/-0.25"   | 62.50               |
| 19. | Width Behind Front Tire                    | Measurement taken 10" from front of rocker. +/-0.25"   | 63.625              |
| 20. | Width at Front Edge of Door                | Measurement taken at widest point, +/-0.25"  | 65.50               |
| 21. | Width in Front of Rear Tire                | Measurement taken at bottom of rocker. +/-0.25"  | 65.75               |
| 22. | Width Behind Rear Tire                     | Measurement taken at bottom of panel, widest point, +/-0.25"   | 61.50               |
| 23. | Width at Center of Rear Axle               | +/-0.25"   | 66.25               |
| 24. | Rear Overhang                              | Measurement taken from the center of the rear axle to the center of bumper at furthest point above wheelie bar opening, +/-0.25"         | 48.25               |
| 25. | Length Left Hand Side                      | Measurement taken from rear of rocker to front edge of front wheel opening. +/-0.25"   | 100.50              |
| 26. | Length Right Hand Side                     | Measurement taken from rear of rocker to front edge of front wheel opening. +/-0.25"   | 99.125              |
| 27. | Wheelbase – Max                            |  | 105.00              |
| 28. | Wheelbase – Min                            |  | 104.00              |
| 29. | B-Post to Centerline of rear axle          | +/-0.25"   | 21.50               |
| 30. | Splitter Length                            | Amount of 2.375" total length front splitter mounted in front of body (see NHRA Rulebook for more info)                                  | 0.375               |
| 31. | Length of Spill Plate                      |  | 26.00 max           |
| 32. | B-Post Location                            | Measurement taken from bottom of rocker  | 15.00               |